



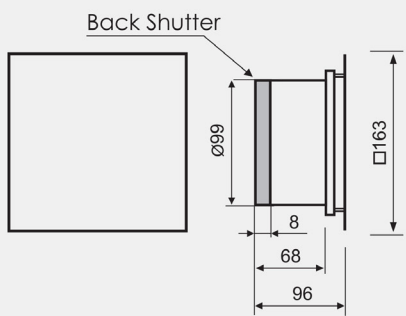
MM PS 100 / MATT



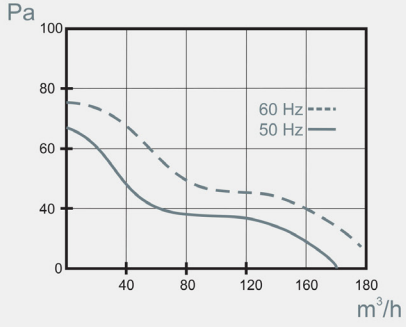
LONG life
30.000h



Dimensions /mm/



Performance curves



Technical characteristic

Type	Product Code	Product Code with Back Shutter / Accessory /	Supply Voltage	Maximum Flow Rate r.p.m	Consumed power	Maximum Flow rate	Protection Degree	Noise Level	Safety Zone	Max Air Temperature	Basic fan	Timer	Humidistat	Light Relay	LED Light	Noiseless Energy Efficient
	No	No	Hz / V	min ⁻¹	W	m ³ /h	IP	dB	Zone	°C						
MMP S 100	-	4895	50 / 230	2750	18	169	56	32	2,3	+60	●					
MMP S 100T	-	9838										●				
MMP S 100HT	-	9692									●	●				
MMP S 100LT	-	-											●			
MMP S 100LED	-	-														●
MMP S 100UE	-	9302	50 / 230	2020	5,5	100	X5	25	2,3	+60						●
MMP S 100LV B	-	-	50 / 12	2750	18	169	56	32	1,2,3	+60	●					
MMP S 100LV T	-	-										●				
MMP S 100LV HT	-	-									●	●				
MMP S 100LV LT	-	-											●			
MMP S 100LV LED	-	-														●

